

## Original operating manual grip slider types 50 SV III, 66 SV III, 80 SV III

version: April 24th, 2023

### Legal notice:

This Instruction and operating manual applies to Reutlinger grip sliders for wire ropes types 50 SV III, 66 SV III, 80 SV III with their original coupling parts (e.g. ring, fork), side exit designs as well as surfaces (e.g. galvanised, nickel-plated, lacquer-coated finish). Available in a variety of designs they are conceived for the suspension of different, clearly defined working loads on steel cables (wire ropes) - see table for details of maximum permissible loads (safe working loads / working load limit) and approved wire ropes.

Safe use of this suspension system requires sufficiently firm attachment/anchorage to a fastening point (ceiling, wall, floor, object) – the responsibility is / lies with the user.

**Installation should always be made by qualified professionals.**

Reutlinger GmbH reserves all legal rights to this instruction and operating manual, including, but not limited to, protection rights afforded under copyright and competition law. Any modification, reproduction or distribution, in total or in parts and by any means, is only permitted with our written consent in prior. Any unauthorised use or transfer is expressly prohibited.

### Attention:

All data displayed on the grip slider must be clearly visible and legible at all times (i.e. data is not permitted to be covered or over-stickered and it must not exhibit any signs of abrasion etc.). If this requirement is not met, the approval under the German Accident Prevention Regulation "DGUV Vorschrift 17 (BGV C1)" will be forfeited and use of the grip slider will no longer be permitted in this case.

In order to prevent any risk of confusion and to help clearly identify the applicable safe working load (working load limit) in each case of use, grip sliders with coupling threads must only be connected to coupling parts that are not marked with a safe working load label of their own.

Only the safe working loads displayed on the grip slider and indicated in the table of this instruction and operating manual apply!

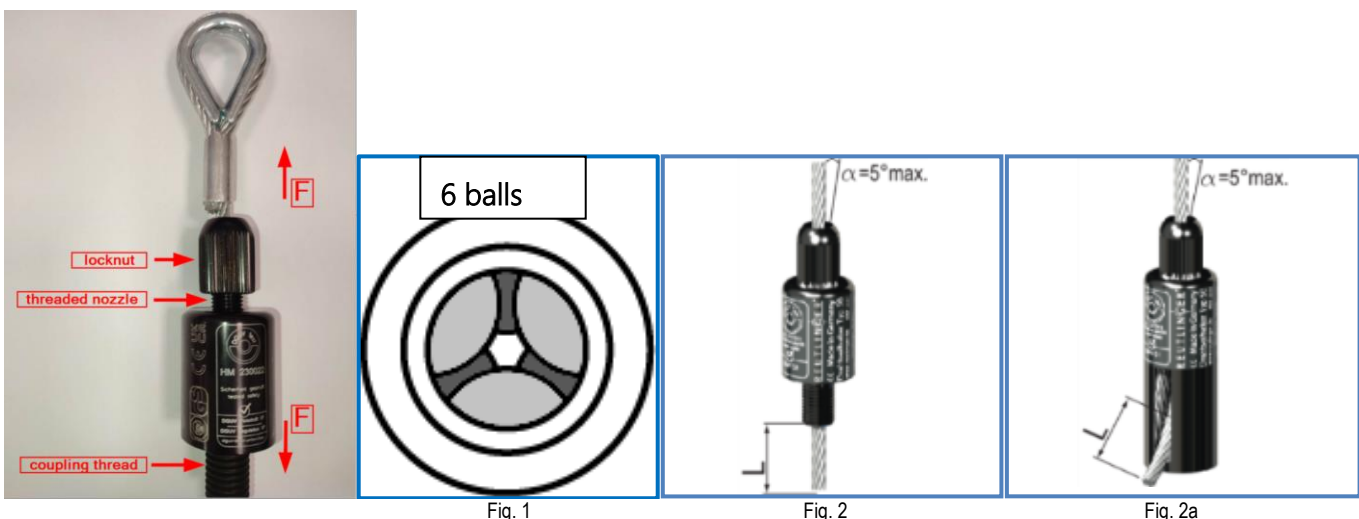
It is the user's sole responsibility to ensure that the safe working load of any coupling parts used is NEVER lower than that of the grip slider and that all relevant regulations are adhered to at all times.

**Important:** Please keep this instruction and operating manual within easy reach for future reference.

### Safety Advice / Precautionary Statements:

1. Reutlinger grip slider are only approved for indoor use at temperatures between  $-20...+50^{\circ}\text{C}$ .
2. Use of the grip sliders in swimming facilities (with a chloric atmosphere) or in any other corrosion-promoting environments (sea water areas or locations with high salt concentration in the atmosphere) is not permitted.
3. Any dynamic forces acting, or likely to act, on the grip slider during assembly and disassembly must be taken into account for determining the actual maximum load on a case-by-case basis. The indicated safe working load (working load limit/WLL) is the maximum load that should NEVER be exceeded! The grip sliders are not approved for performing dynamic/scenic movements driven by stage machinery installations.
4. The casing of the grip slider must be impossible to open and must never be opened. Permanently fixed original parts should not be removed.
5. Before the cable holder is used, its nozzle (i.e. the threaded nose protruding from the cable holder's top-end) must be able to be pushed inside with ease against the noticeable pressure of the spring, and it should move out again by itself and return to its original position outside the grip slider when it is released.
6. The pass-through channel of the nozzle must be free of foreign particles so that proper functioning of the grip slider is ensured.
7. When looking through the nozzle, part of the circumference of six balls protruding into the nozzle's pass-through channel must be visible (Fig.1). The lighter, central gap formed by the configuration of the six balls is to form a hexagon in the pass-through channel, similar to a star with six points. If the six balls are not visible in the grip slider as described above, the grip slider should not be used. Contact the Quality department of Reutlinger GmbH.
8. The surface of the wire rope to be threaded into the grip slider must be properly closed (i.e. sealed by tinning, welding, shrink-sleeving,...) so that an unravelling of the wire rope and thus injury to the user from projecting wires or strands is prevented. If the wire rope needs to be shortened, its ends must be once again permanently sealed after the trimming is complete.
9. For safe operation and full load capacity (i.e. up to the working load limit) of the grip slider, the wire ropes must be entirely undamaged and free of dirt or other contamination.
10. Wire ropes and wires must not be pulled over edges (e.g. in case of models with side cable exit)!
11. The deflection angle of the wire rope from the vertical symmetry axis of the grip slider must not exceed  $\alpha=5^{\circ}$  (Fig.2, 2a).
12. The nozzle of the grip slider must under no circumstances be loaded (e.g. it must not be exposed to buckling or compressive stress etc.). It must remain accessible at all times.
13. The grip slider must be used in pairs as a minimum, i.e. the object to be suspended must be held by a minimum of two wire ropes in order to prevent rotation of the grip slider upon its own axis on the wire rope.
14. After overload, above the indicated safe working load (working load limit), grip slider should not be used again!
15. Wire ropes and grip slider should not be damaged! „Critical Damage“ includes (but is not limited to): Cracks, deformations and material loss such as may occur through impact, shock or severe friction/abrasion. Slight abrasion or deformation of the nozzle may indicate presence of damage inside the grip slider caused by, for example, an impact on the nozzle (e.g. by falling onto a hard surface). In case of any doubts or questions as to whether a particular Reutlinger grip slider exhibits uncritical traces of use or potentially critical damage, please contact Reutlinger GmbH to be on the safe side.
16. Do NOT use any tools when mounting the grip slider onto its respective mating counterpart or when tightening the lock nut (safety nut).

Note: "There is no bound mounting direction!"



**How to safely connect the grip slider to the wire rope:**


1. First, loosen the lock nut mounted on the threaded nose protruding from the grip slider's top end (nozzle) until the end of the thread is reached.  
Next, insert one end of the wire rope into the grip slider against the slight resistance of the spring-loaded nozzle.
2. The cable holder can now be slid along the wire rope. As soon as it is pulled in the opposite direction or loaded, the gripping mechanism will be automatically activated. If the gripping mechanism is not triggered as it should, please check whether the wire rope selected for use with the grip slider is appropriate (see table with working loads), or whether the grip slider is possibly defective (in order to check the grip slider prior to use, please refer to the "Safety Advice/Precautionary Statements" section, steps 1...7).  
**! In case of a suspected malfunction or defect, the grip slider should NOT be used !**
3. Care should be taken that the wire rope, prior to the gripping action being triggered, is properly channelled through the grip slider so that it protrudes under load by at least L= 60mm (2.4 inch) from the coupling thread, coupling part or side exit (ZW) of the grip slider (Fig.2, 2a), depending on the model used.  
In addition, the angle  $\alpha=5^\circ$  max. between the wire rope and the vertical symmetry axis of the grip slider must not be exceeded at the point of exit of the cable from the nozzle.  
If the angle is larger, the lateral pressure exerted by the wire rope on the nozzle can cause damage to the nozzle or malfunction of the grip slider, thus possibly leading to an accidental release of the gripping mechanism.
4. After the grip slider has been adjusted to the required position on the wire rope by a gentle pulling action of the hand (in direction of load), the grip slider will begin to grip.
5. Once the grip slider has properly gripped the wire rope, tighten the lock nut by hand (without the use of tools!) until it comes to closely rest against the top end of the grip slider.  
The load can now be attached to the grip slider; the gripping force of the grip slider increases in proportion to the work load.  
Care should be taken to ensure that load attachment to the tensioned wire rope is performed slowly and gradually.
6. After proper attachment of the work load, re-tighten the lock nut further by hand (without the use of tools!) until it makes full-surface contact with the grip slider.
7. Pulse loading (shock loads) may cause the safe working load (working load limit) to be temporarily exceeded and may thus lead to damage of the wire rope and the grip slider.  
If any such pulse loading (shock load) has occurred, the load should be removed, and the wire rope, as well as the grip slider, should be checked for damage immediately.

**If the grip slider or the load is to be relocated on the wire rope (i.e. on a new position), please proceed in reverse order:**


1. Loosen the lock nut, remove the suspended load or secure it expertly to the grip slider to prevent accidental dropping of the load.
2. Manually press the lock nut, thus pushing the nozzle into the grip slider, and keep it in that position. The grip slider is now unlocked - means the gripping pressure is released.
3. You can now slide the grip slider to the selected position on the wire rope.
4. Release the lock nut once again; while you do so, the nozzle should move out from the grip slider and return by itself to its original position outside the grip slider.
5. For re-applying the load, please proceed once again as described from step 4 of the "How to safely connect the grip slider to the wire rope" section.

Reutlinger grip slider types 50 SV III, 66 SV III, 80 SV III are DGUV Vorschrift 17 (BGV C1) (German Accident Prevention Regulation) and TÜV-GS approved.  
DGUV certificate no. HM 230022 (valid until 02.Apr.2023: OA 1851013)

**According to German Accident Prevention Regulation "DGUV Vorschrift 17 (BGV C1)" following safe working loads / WLL (working load limit) / safety factor (SF) apply:**




 HM 230022 Sicherheit geprüft tested safety DGUV Vorschrift 17 DGUV Regulation 17 HM 230022 DGUV Vorschrift 17 (BGV C1)	Permitted wire rope / rope grade / working load limit / WLL in [kg]				
	safety factor (SF)= 10				
	6x7- FC / WSC 1770...1960	6x7- FC / WSC 1770...1960	6x7- FC / WSC 1770...1960	6x7- FC / WSC 1770...1960	6x19M- FC / WSC 1770...1960
	6x19M- FC / WSC 1770...1960	6x19M- FC / WSC 1770...1960	6x19M- FC / WSC 1770...1960	6x19M- FC / WSC 1770...1960	6x37M- FC 1770...1960
Types	Rope ø 4.0 mm	Rope ø 5.0 mm	Rope ø 6.0 mm	Rope ø 6.35 mm	Rope ø 8.0 mm
50 SV III	60	90	–	–	–
66 SV III	–	90	135	150	–
80 SV III	–	–	135	150	240

**Outside the German Accident Prevention Regulation "DGUV Vorschrift 17 (BGV C1)", following safe working loads / WLL (working load limit) / safety factor (SF) apply:**

 TÜV / GS	Permitted wire rope / rope grade / working load limit / WLL in [kg]				
	safety factor (SF)= 5				
	6x7- FC / WSC 1770...1960	6x7- FC / WSC 1770...1960	6x7- FC / WSC 1770...1960	6x7- FC / WSC 1770...1960	6x19M- FC / WSC 1770...1960
	6x19M- FC / WSC 1770...1960	6x19M- FC / WSC 1770...1960	6x19M- FC / WSC 1770...1960	6x19M- FC / WSC 1770...1960	6x37M- FC 1770...1960
	6x19-WSC...6x7- WSC 1570	6x19-WSC...6x7-WSC 1570	6x19-WSC...6x7-WSC 1570	–	6x19-WSC...6x7-WSC 1570
Types	Rope ø 4.0 mm	Rope ø 5.0 mm	Rope ø 6.0 mm	Rope ø 6.35 mm	Rope ø 8.0 mm
50 SV III	120	180	–	–	–
66 SV III	–	180	270	300	–
80 SV III	–	–	270	300	480

Reutlinger GmbH declares under its sole responsibility that the products covered by this manual are in compliance with EC Machinery Directive (2006/42/EC) and following standards have been applied: DIN EN 13411 Parts 5, 7.

More technical and safety instructions can be found on [www.reutlinger.de](http://www.reutlinger.de)

-  Sie finden die deutsche Originalfassung dieser Betriebs- und Bedienungsanleitung unter [www.reutlinger.de/tech-info](http://www.reutlinger.de/tech-info)
-  S'il vous plaît, veuillez trouver la version française de ce mode d'emploi sous [www.reutlinger.de/tech-info](http://www.reutlinger.de/tech-info)
-  Usted encontrará la versión en español de las instrucciones de servicio en [www.reutlinger.de/tech-info](http://www.reutlinger.de/tech-info)